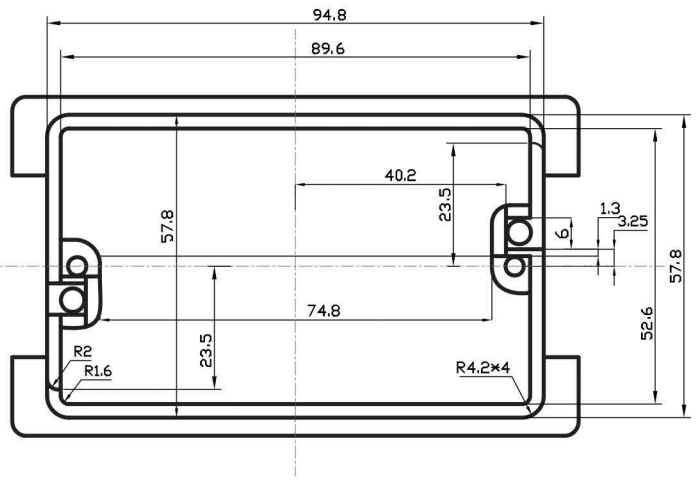
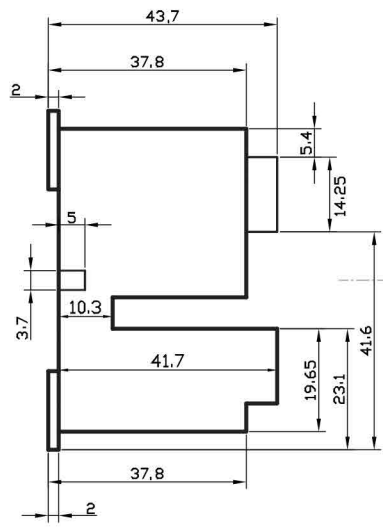
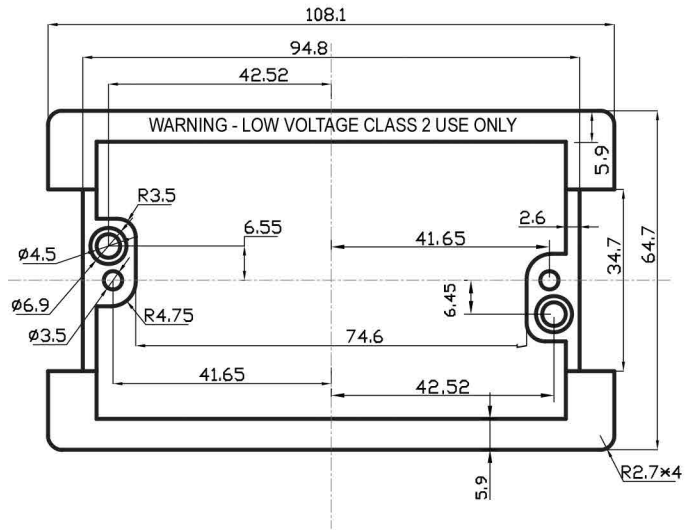




	ISSUE	REVISED	DATE
①			
②			
③			



DESCRIPTION :				- Single Gang Existing Construction Box				
DATE	09/20/2020	SCALE	1:1	 	ISSUE: A	SHEET 1 OF 1	DIM.	TOLERANCE
SIZE	A4	DRAWN					0~3	±0.05
UNIT	MM	APRD.		CUSTOMER:			3~20	±0.1
							20~50	±0.2
							50~100	±0.5