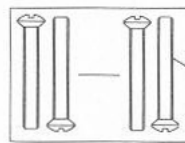
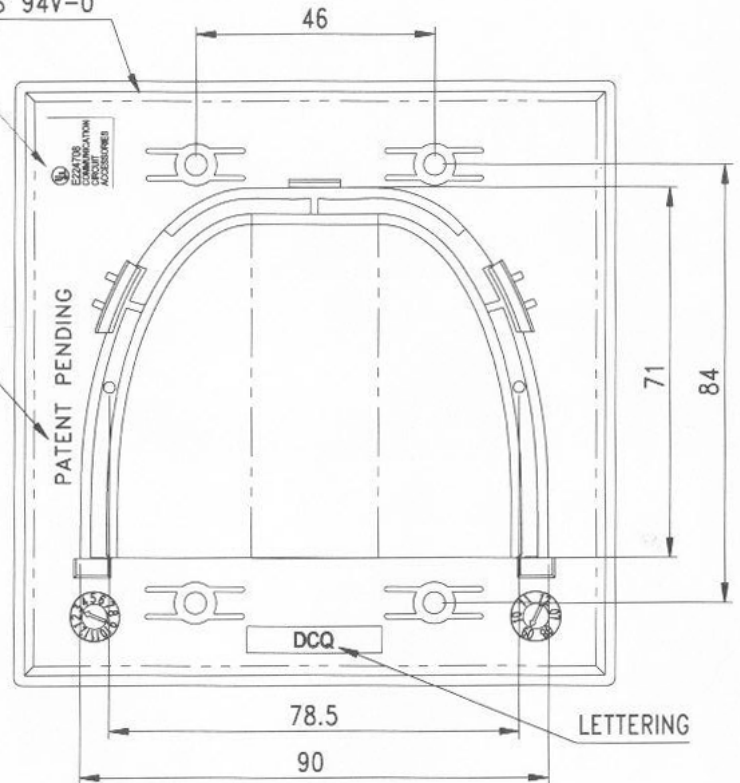


ABS 94V-0

UL
E224708
COMMUNICATION
CIRCUIT
ACCESSORIES

UL LETTERING

LETTERING



SCREW : F6*25
SLOT TYPE PAINT

MODEL	COLOR	UPC
VHT8201	WHITE	80011803795
VHT8202	ALMOND	80011803796
VHT8203	BLACK	80011803797

DESCRIPTION : DOUBLE GANG DETACHABLE BULK WIRE PLATE

DATE	08/10/09	SCALE		ISSUE:	SHEET 1 OF 1	DIM.	TOLERANCE
SIZE		DRAWN				0~3	±0.05
UNIT	MM	APRD.	CUSTOMER:	DWG No.	20~50	±0.2	
					50~100	±0.5	



Quest Technology Int'l, Inc.
11200 NW 138th St.
Medley, FL 33178