

Item#

TTE-9050

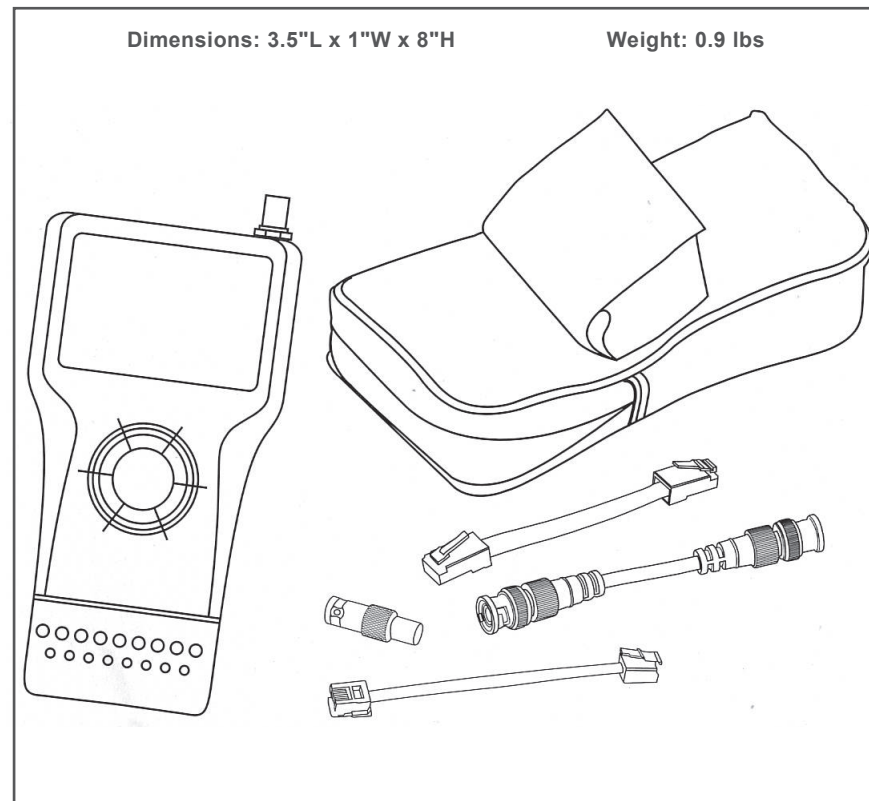
Description

DELUXE REMOTE LAN/COAX/USB CABLE TESTER



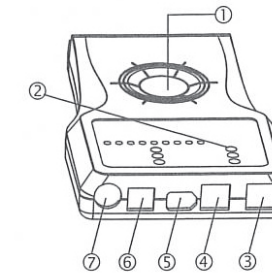
Dimensions: 3.5"L x 1"W x 8"H

Weight: 0.9 lbs



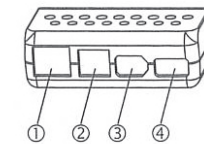
TTE-9050

The configuration of main unit tester



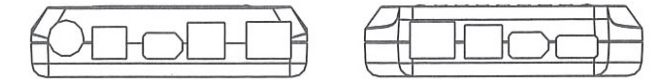
1. Green push button.
2. LED display.
3. Shielded RJ-45 connector.
4. RJ-11 connector.
5. IEEE 1394 connector.
6. USB B connector.
7. BNC connector.

The configuration of remote terminator



1. Shielded R45 connector
2. RJ-11 connector
3. IEEE 1394 connector
4. USB B connector

Jack of Test Cabling



Cable Testing

- RJ-45** for testing Lan Cable of Ethernet 10BASE-T, EIA/TIA-568/568B, AT&T258A, Token Ring, and any other cabling systems with RJ-45 connectors.
- IEEE 1394** for testing 1394 cable with 1394 connector.
- RJ-11** for testing Telephone, PhonNet, and any other cabling systems with RJ-11 connectors.
- USB** for testing USB, and any other cabling systems with USB connectors.
- BNC** for testing Ethernet 10BASE-2/10BASE-5 Terminator value.

General Information

The Cable Tester TTE-9050 comes with RJ 11, RJ 45, IEEE 1394 and USB port on the front panel and is especially suited for quick-testing of connecting and network cables. The conductors of each cable can be tested separately: the LED row indicates line sag/interruption and line termination, as well as short-circuit, ground contact and crossed conductors. Short connecting cables can be tested on the main unit directly, while cables which have been layed already are tested using a remote receiver. The test sequence can be adjusted to either manual or automatic mode. With integrated BNC port for testing coaxial network cables.

Features

- Ideal for testing Coaxial & Network patch cables
- Verifies cable continuity, opens, shorts and mis-wiring
- Built-In audible beeper
- Tests USB, Coaxial, BNC, RJ11, RJ45 & 1394 cable
- Remote module testing up to 600ft away
- Includes zippered carrying case

1-YEAR WARRANTY



www.QuestTechnologyIntl.com