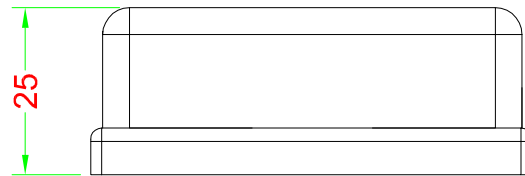
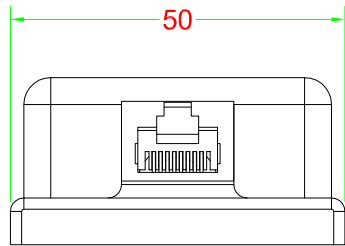
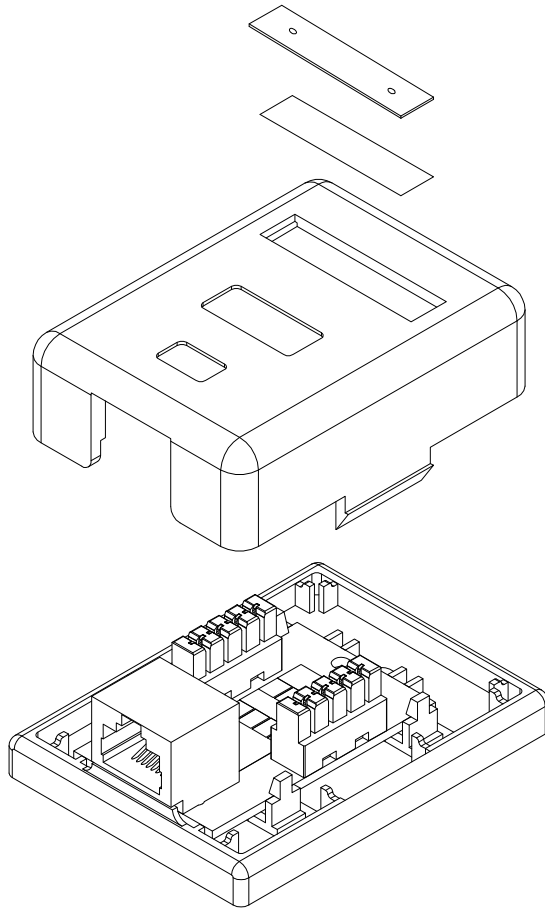
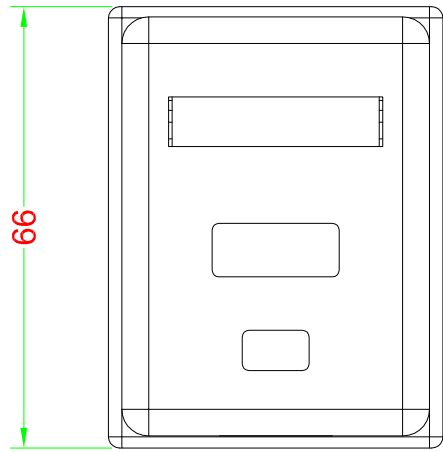


# C5e MOUNT BOX UTP 50u



## Performance:

Meets C5e EIA/TIA 568B Standard.

## Materials:

Body : Fireproof ABS UL-94V0  
 Jack : 8P8C 50 micro inches gold plated  
 PCB : FR-4 / UL-94V0  
 IDC Body : Fireproof ABS UL-94V0  
 IDC Pin : Bronze & Tinned

IDC Description : For 22-26 AWG.  
 For 110 punch-down Tool

## Electrical Specifications:

Insulation Resistance : 500M ohms (min.)  
 Contact Resistance : 20m ohms (max.)  
 Current Rating : 1.5 Amps .  
 DC Resistance : 0.1 ohms (max.)  
 Withstanding Voltage : 1000 VAC RMS @ 60Hz / 1 min.

## Mechanical Specifications:

IDC Punch Down Cycle : Over 250 Cycles (min.)  
 Jack Insertion Cycle : Over 2000 Cycles (min.)

Operation Temperature : -40 °C ~ +70 °C

DRAW NO:		ITEM NO:	NSB-5120
	APPR	CUSTOMER:	
UNIT: m/m	DESIGN	DATE:	
SCALE:	Ref. NO:	TOLERANCE:	X ± 1 · X ± 0.2 · XX ± 0.15



Quest Technology International, Inc.  
 11200NW 138th Street Medley, FL33178