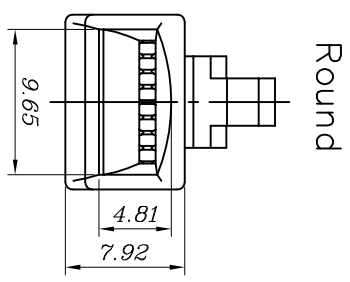
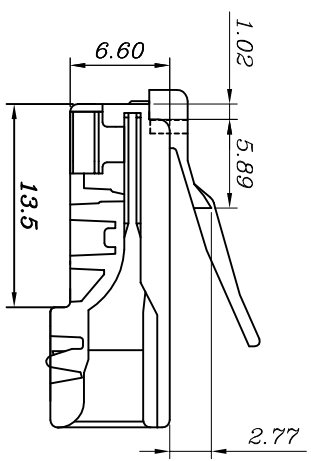
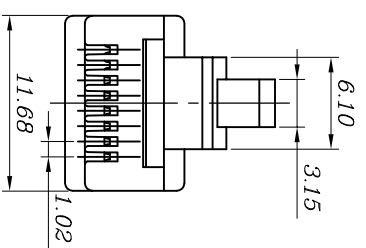
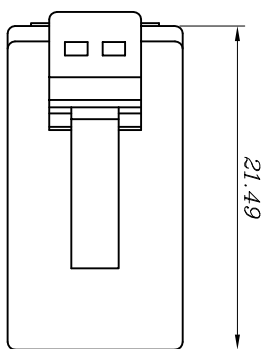
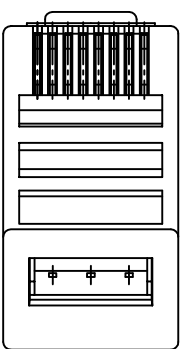


1 2 3 4 5 6 7



Round



BLADE:	B
Drawing	
Mark	

REV	DATE	MODIFICATION	DRAWN
	2013/09/06		

SPECIFICATIONS
1. ELECTRICAL:
 UL APPLICATIONS: 250 VOLTS AC MAX., AT 2 AMPS.
 DIELECTRIC WITHSTANDING VOLTAGE: 1000 VOLTS AC.
 INSULATION RESISTANCE: 100 M Ω.
 TERMINATION: RESISTANCE 20m Ω MAX AFTER ENVIRONMENTAL TESTING.
2. MECHANICAL:
 CABLE-TO-PLUG TENSILE STRENGTH: 19.6N/PCS MIN.
 DURABILITY: 200 MATING CYCLES.
3. MATERIAL & FINISH:
 HOUSING: POLYCARBONATE, UL94V-0 OR UL94V-2.
 COLOR: TRANSPARENT OR OTHER COLOR ARE AVAILABLE.
 CONTACT BLADE: COPPER ALLOY.
 CONDUCTOR: SOLID WIRE, 24AWG, 26 AWG.
 GOLD PLATING: 50μ".



Quest Technology International, Inc.
 11200 NW 138th St. Medley, FL 33178

DIMENSION IN mm (Inch)	TOLERANCE UNLESS OTHERWISE SPECIFIED	MATERIAL	图号
.X±0.20	.XX±0.10	PC	NMP-8225
.X°±5°	.XX°±2°	名称	名称
		SOLID WIRE	cat. 5E MODULAR PLUG 8P8C FOR ROUND CABLE.

审核	核对	制图	比例	张数
APPROVAL	CHECKED	DRAWN	SCALE	SHEET
		Cathyli	2/1	1/1
			角法	更改
			PROJ.	REV
				A

1 2 3 4 5 6 7

ST-DR-009A