

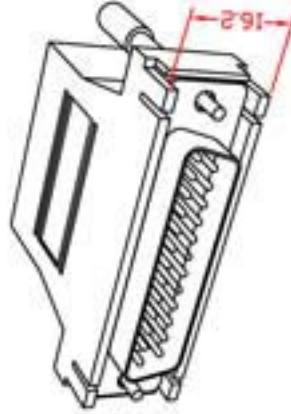
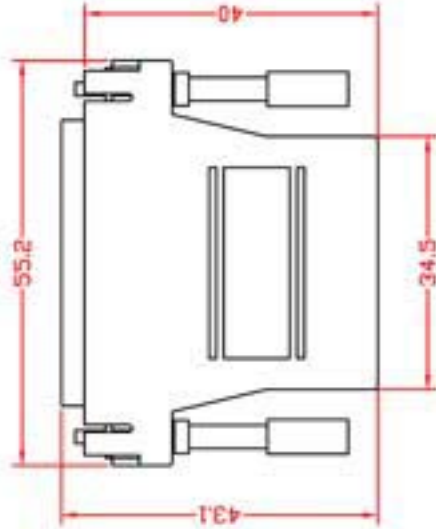
1 2 3 4 5 6



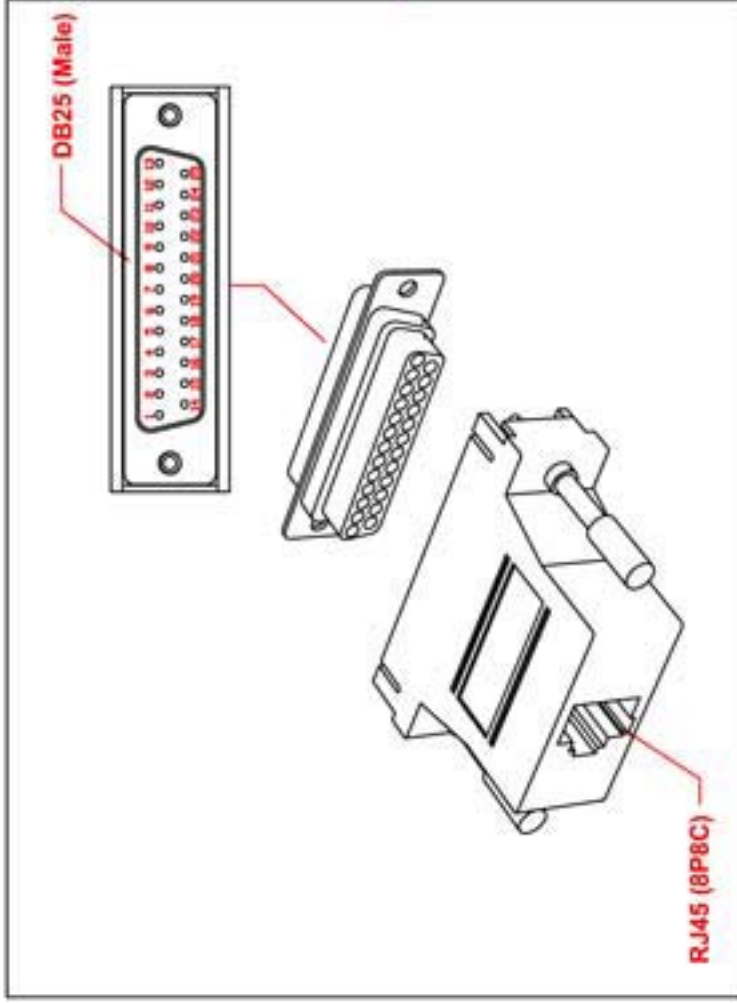
Body Color: Grey

PIN OUT:

RJ45 (8P8C)	Pin (Color)
1	Blue
2	Orange
3	Black
4	Red
5	Green
6	Yellow
7	Brown
8	White



MODULAR DB-25 MALE to RJ-45 Jack ADAPTER



RevNo	Revision note	Rev-By	RevDate	Signature	Checked

ITEM NO. **NMA-8509**

PART NO. **68071499901**

DESIGNED BY **ALEX**

DATE **05/08/18**

SCALE **xx**

UNIT **MM**

VER. **1**



Checked by



Approved by -date



A

B

C

D

6

5

3

2

1