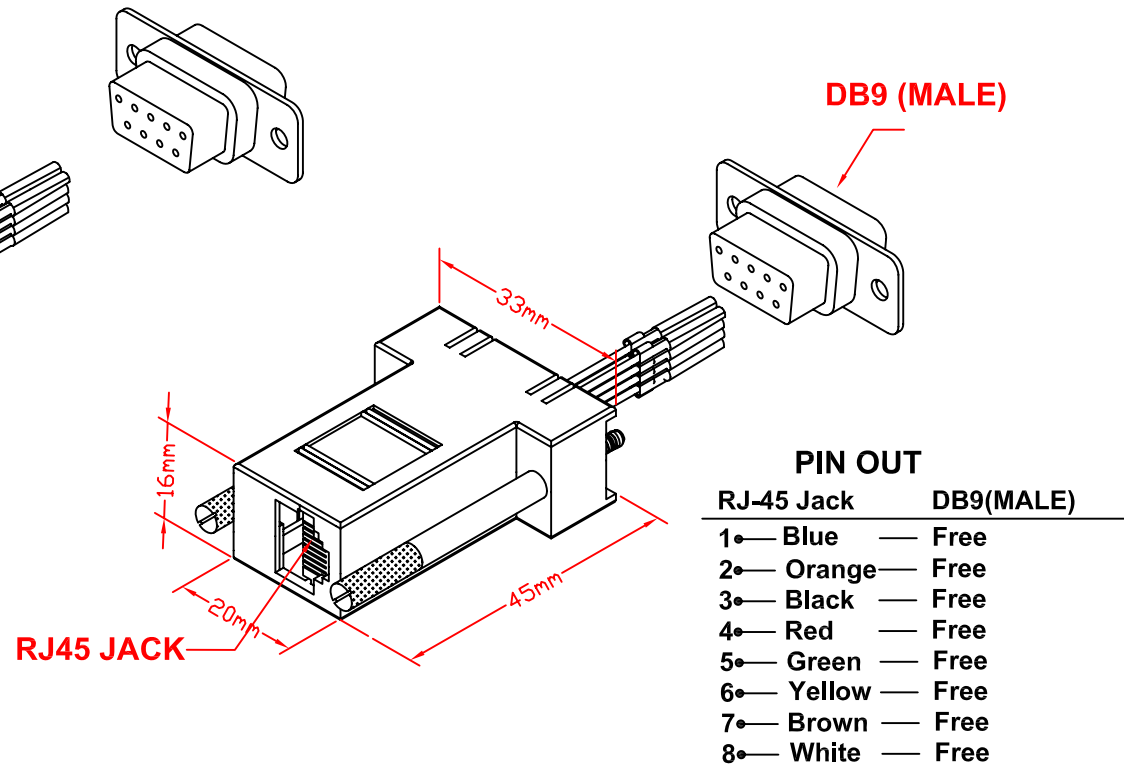
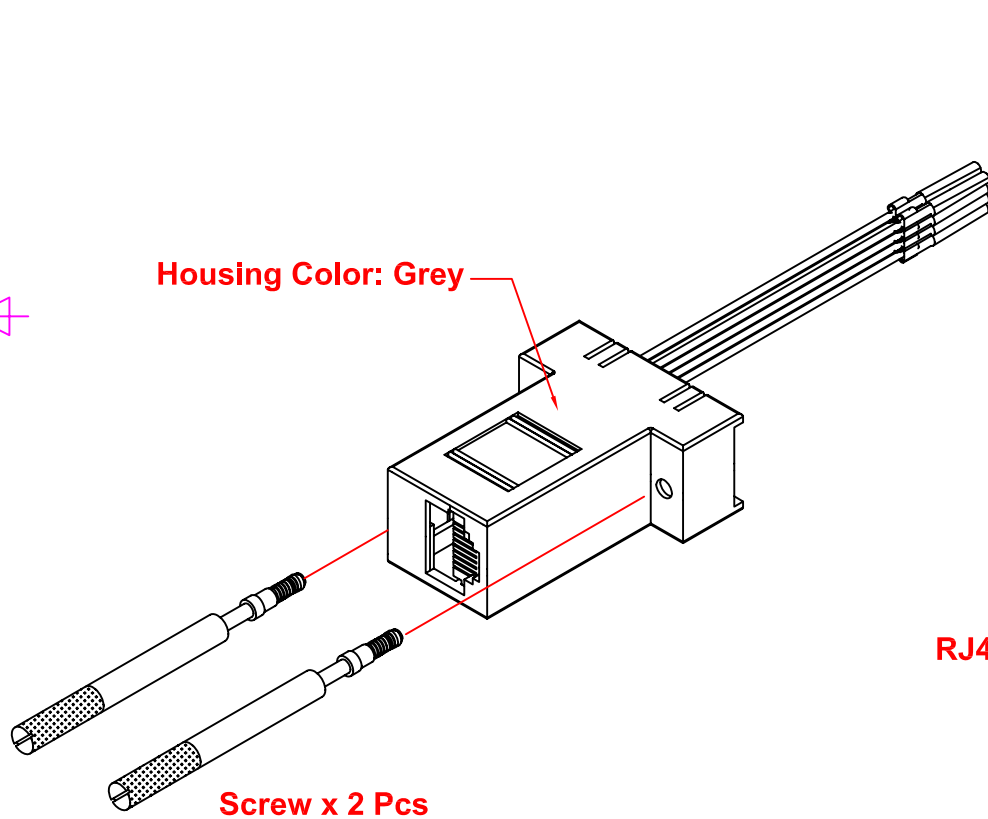


RevNo	Revision note	Rev-By	RevDate	Signature	Checked



# MODULAR D-SUB UTP ADAPTERS ONE PIECE HOOD

## ITEM NO. NMA-8109



**PIN OUT**

RJ-45 Jack	DB9(MALE)
1 — Blue	— Free
2 — Orange	— Free
3 — Black	— Free
4 — Red	— Free
5 — Green	— Free
6 — Yellow	— Free
7 — Brown	— Free
8 — White	— Free

ITEM NO.	<b>NMA-8109</b>			
CUSTOMER NO.				
DESIGNED BY	DATE	100624	UNIT	MM
ALEX	SCALE	1:1	VER.	1
NO.	Checked by			
APPR:	Approved by -date			

