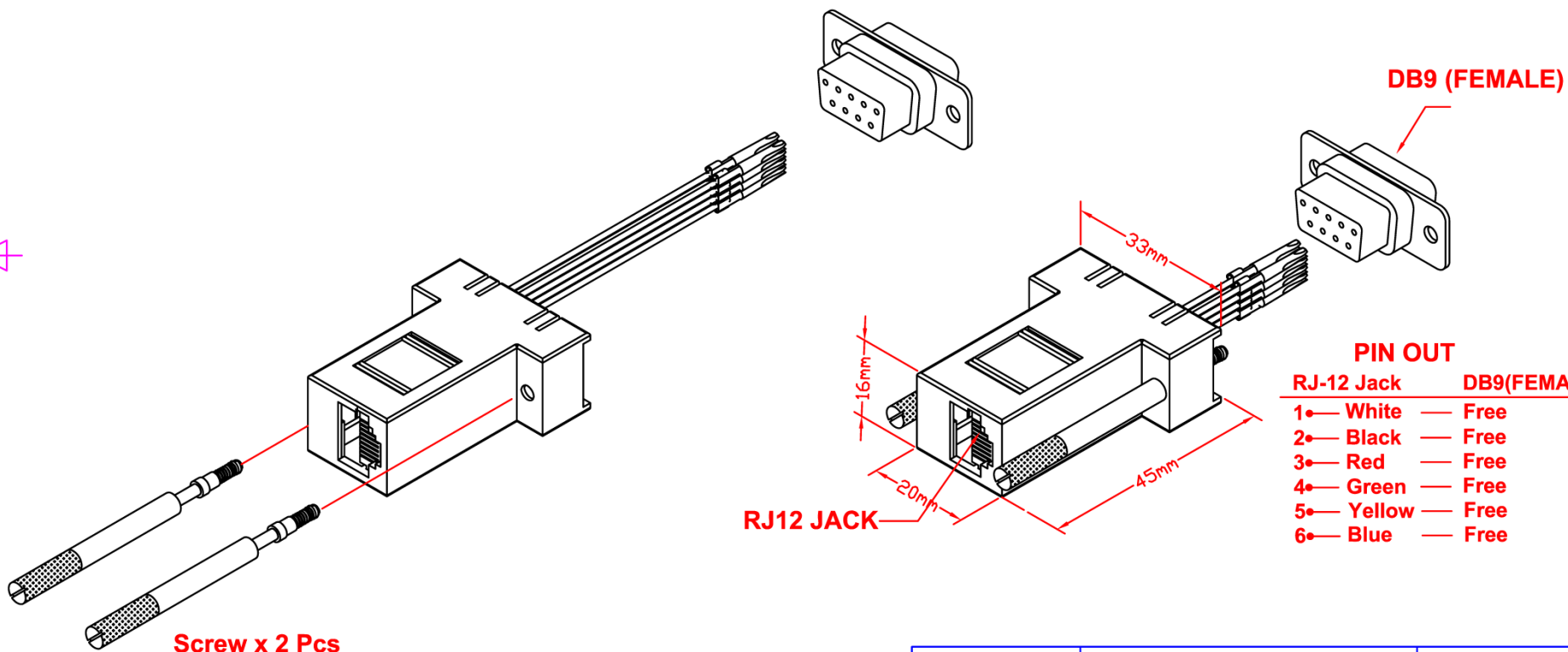


RevNo	Revision note	Rev-By	RevDate	Signature	Checked

MODULAR D-SUB UTP ADAPTERS ONE PIECE HOOD



ITEM NO.	NMA-6209			
PART NO.	68086399901			
DESIGNED BY Sue	DATE	100324	UNIT	MM
	SCALE	1:1	VER.	1
NO.	Checked by			
APPR:	Approved by -date			



1 | 2 | 3 | 4 | 5 | 6

A

B

C

D

1 | 2 | 3 | 4 | 5 | 6