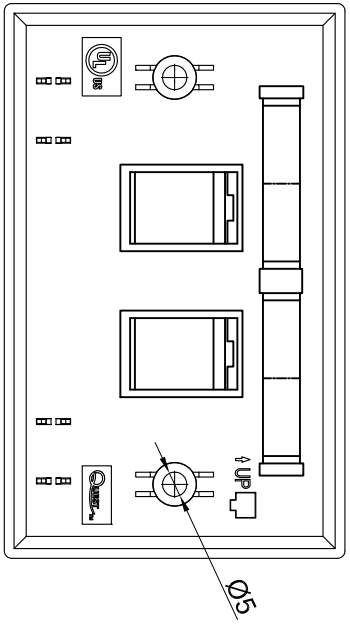
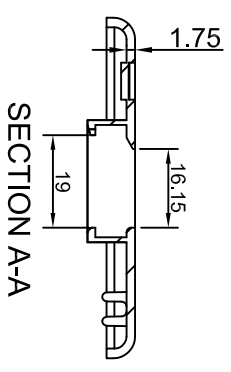
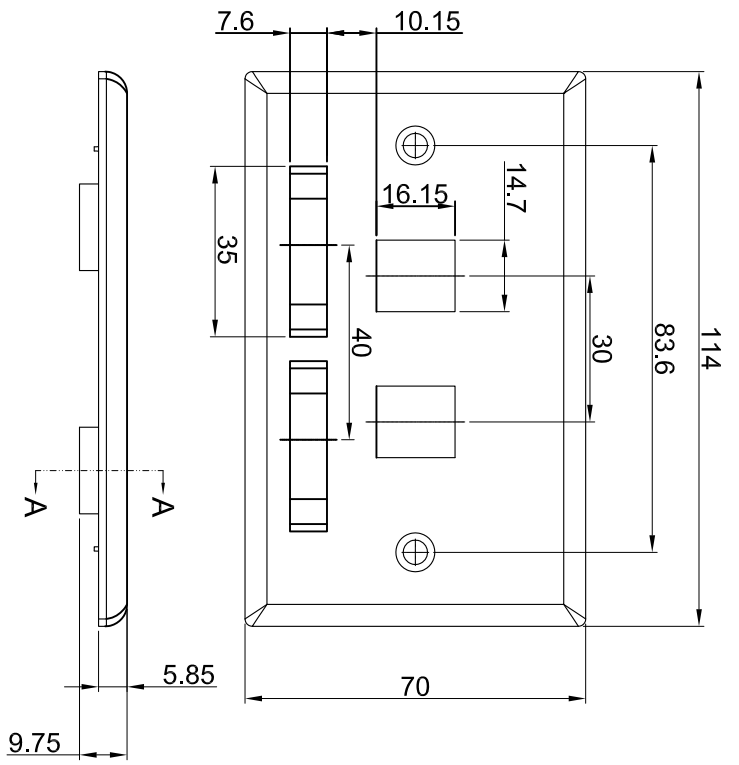

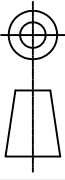


REVISIONS			
ZONE/REV	DESCRIPTION	DATE	APPROVED



NOTES (UNLESS OTHERWISE SPECIFIED):
 1. FACEPLATE MATERIAL: ABS UL94V-0
 2. ENCLOSURE PARTS:
 M4x25mm WHITE SCREW x2PCS,
 TRANSPARENT CUT x2PCS, PAPER CUT x2PCS.

Scale	1:1.5	 Quest Technology Int'l, Inc 11200NW 138th st, Medley, FL33178			
3rd Angle Projection					
Unit	mm	Part no. NFP-6208			
Date	2013.07.19	Title: KEYSTONE HORIZONTAL WALL			
Tolerance	±0.2 ±0.4 ±0.5 ±1.5 2°	Drawn by GU JIAN JUN			
~20	~50	~150	ALGIE	Checked by	Drawing No.

