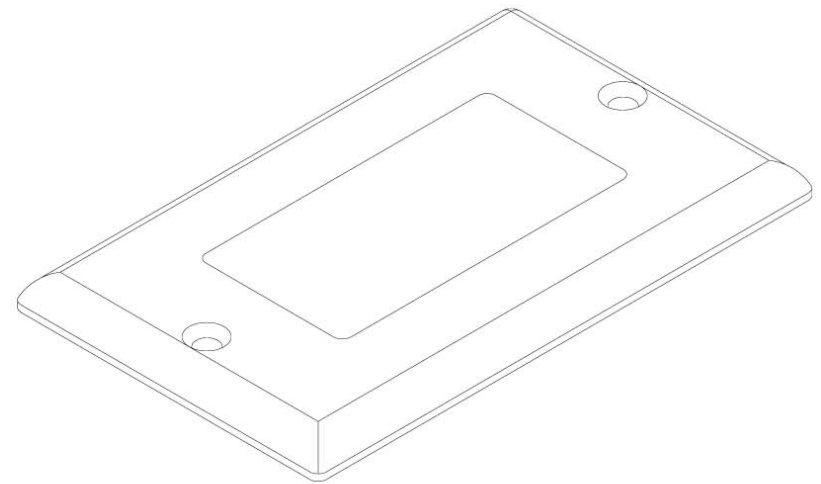


REVISIONS				
ZONE	REV	DESCRIPTION	DATE	APPROVED
	↑			
	↑			



MATERIAL
 Housing: ABS, UL 94V-0
 COLOR: WHITE,IVORY.....
 Temperature: -40°C ~ 68°C
 Humidity: 10% ~90% RH

ENCLOSURE:
 K4-6 x 8mm SCREW X 2

COMMON TOLERANCE			SHEET OF		 QUEST <small>TECHNOLOGY INTERNATIONAL, Inc.</small>
CLASS	A	B	SIZE	A4	
DIMENSION			DIA	mm	TITLE
L<=3	±0.05	±0.1	SCALE	4:5	NFP-4017 Ivory NFP-4018 White
3<L<=6	±0.05	±0.1	DATE	2004.10.15	DRAWING NO.
6<L<=16	±0.1	±0.15	DESIGN		B-109
16<L<=30	±0.1	±0.2	DRAWN		CHECKED
30<L<=120	±0.15	±0.3			
120<L<=315	±0.2	±1			