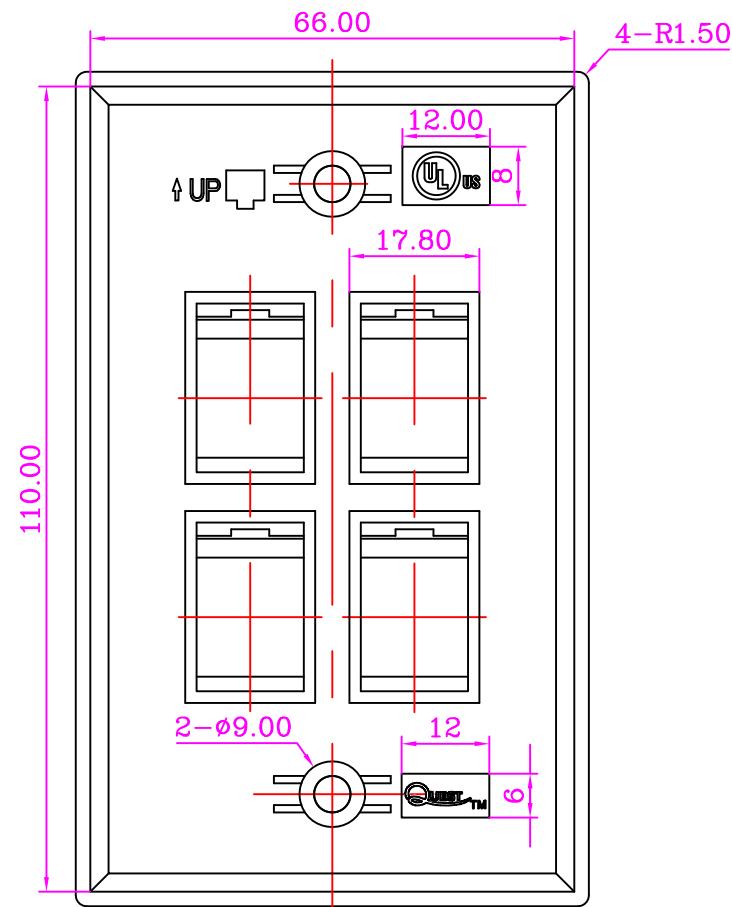
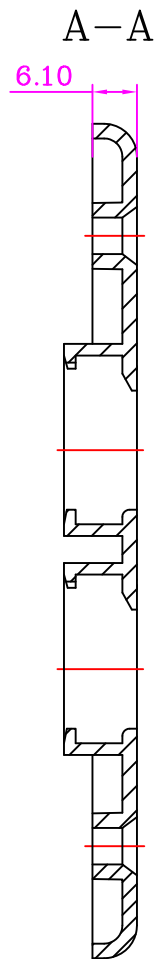
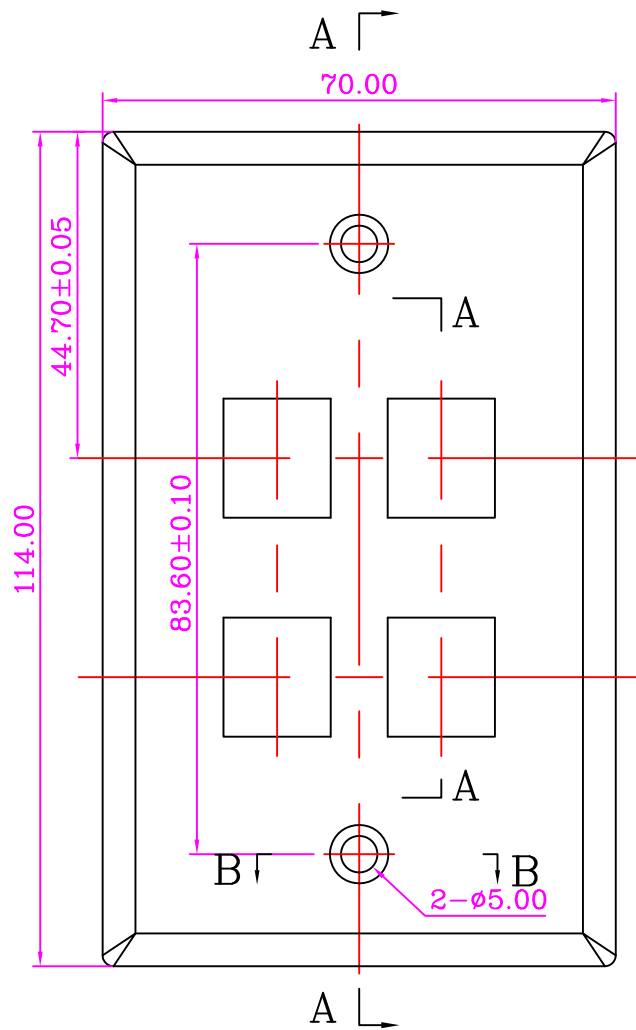
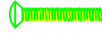
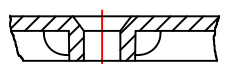



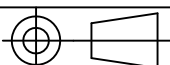
REVISIONS				
ZONE	REV	DESCRIPTION	DATE	APPROVED



ENCLOSURE: K4.6 x 25mm SCREW X 2 
 screw head color matches wall plate color

B-B



Scale	1:1	 Quest Technology Int'l, Inc 11200NW 138th st, Medley, FL33178							
3rd Angle Projection									
Unit	mm	Part no. NFP-104X							
Date	2011.12.14	KEYSTONE WALL PLATE, - 4							
Tolerance		Title: PORT, UL							
NFP-1047	Ivory	Drawn by	Checked by	Drawing No.					
NFP-1048	White	~20 ±0.2	~50 ±0.4	~150 ±0.5	150~ ±1.5	ALGLE 2°	黄体味		