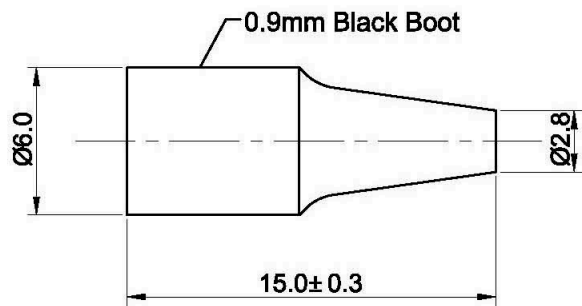
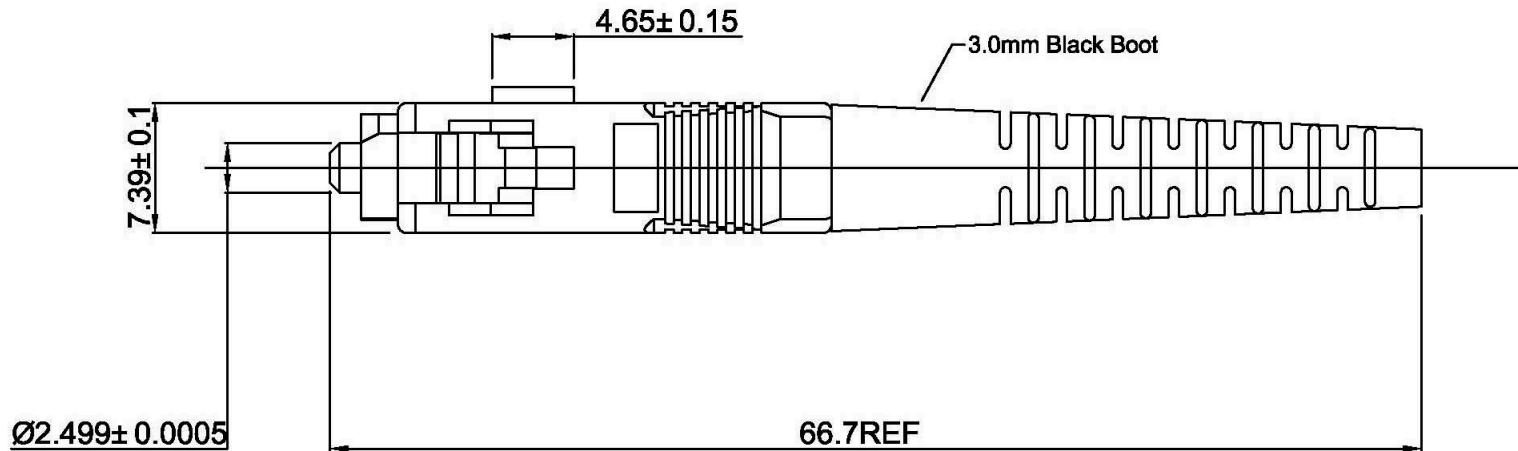


REVISIONS			
REV	DESCRIPTION	DATE	APPROVED
1	FQ00C-8001	2007/12/19	Wanda



- Features**
- SC connectors are compliant IEC 60874-14; F04(JIS C5973); TIA/EIA-804-3A
 - Product quality comply with GR-326-CORE

Specifications

Parameter	Units	
Ferrule ID	um	127
Insertion Loss	dB	≤0.3
Durability(500 times)	dB	≤0.3
Operating Temperature	° C	-40~+85
Storage Temperature	° C	-40~+85

DIMENSIONS ARE IN mm			INTERPRET DRAWING PER ANSI Y14.5M	
TOLERANCES UNLESS OTHERWISE SPECIFIED:			APPROVALS	DATE
FRACTIONS	DECIMALS	ANGLES	DRAWN	2007/12/18
±1/32	X ±.05 XX ±.005 XXX ±.0005	±.5°	CHECKED	2007/12/18
 THIRD ANGLE PROJECTION			APPROVED	2007/12/18
			APPROVED	2007/12/18

TITLE: SC M/M Connector 3.0mm Black Boot & 0.9mm Black boot			
SIZE	DO NOT SCALE DRAWING	DWG NO.	REV
A		NFO-3001	1
			SHEET 1 OF 1

The information contained in this document is proprietary to FLT; and may not be disclosed or transmitted to any other parties without the express written permission of FLT. This information is provided for the purposes of quotation only.